



**PRODUCT DESCRIPTION**

Sleek modern form available in your choice of Oil Rubbed Bronze or Satin Nickel finish. The Frost glass shade gently melds into the flowing lines of the frame.

**FINISHES OPTION**

Satin Nickel SN



**GLASS**

Frosted FT

**MATERIAL**

Steel

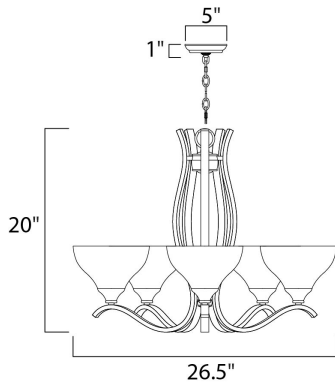
**RATINGS**

Dry Location  
Dimmable



**ADDITIONAL**

INSTALL UP/DOWN:  
RATED LIFE 2500 Hours  
OPERATING TEMPERATURE:  
-20°C (-4°F), 40°C (104°F)



**MEASUREMENTS**

DIMENSION : 26.5" W x 20." H  
HANGING WEIGHT : 13.1 lb

**LAMPING**

INPUT VOLTAGE : 120V  
LUMENS : 5,750 Rated (0 Del.)  
BULB : 5 x 60W (NOT INCLUDED), 300W Total  
DIMMABLE : Dimmable

Always consult a qualified electrician before installing any lighting product.



**WESTERN DISTRIBUTION CENTER (HEADQUARTER)**  
253 NORTH VINELAND AVE | CITY OF INDUSTRY, CA 91746  
**EASTERN DISTRIBUTION CENTER**  
4200 SHIRLEY DR. | ATLANTA, GA 30336  
P. 626.956.4200 | F. 626.956.4225 | maximlighting.com