



PRODUCT DESCRIPTION

Sleek modern form available in your choice of Oil Rubbed Bronze or Satin Nickel finish. The Frost glass shade gently melds into the flowing lines of the frame.

FINISHES OPTION

Satin Nickel SN



GLASS

Frosted FT

MATERIAL

Steel

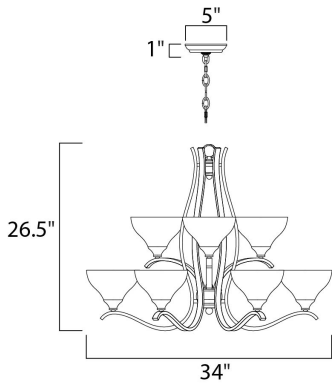
RATINGS

Dry Location
Dimmable



ADDITIONAL

INSTALL UP/DOWN:
RATED LIFE 2500 Hours
OPERATING TEMPERATURE:
-20°C (-4°F), 40°C (104°F)



MEASUREMENTS

DIMENSION : 34." W x 26.5" H
HANGING WEIGHT : 24.82 lb

LAMPING

INPUT VOLTAGE : 120V
LUMENS : 10,350 Rated (0 Del.)
BULB : 9 x 60W (NOT INCLUDED), 540W Total
DIMMABLE : Dimmable
COLOR_TEMP : 2700K

Always consult a qualified electrician before installing any lighting product.



WESTERN DISTRIBUTION CENTER (HEADQUARTER)
253 NORTH VINELAND AVE | CITY OF INDUSTRY, CA 91746
EASTERN DISTRIBUTION CENTER
4200 SHIRLEY DR. | ATLANTA, GA 30336
P. 626.956.4200 | F. 626.956.4225 | maximlighting.com