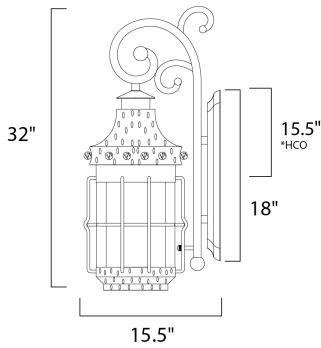




**PRODUCT DESCRIPTION**

Nantucket EE is a traditional, early American style, energy saving collection from Maxim Lighting International in Country Forge finish with Frosted Seedy glass.



\*height of fixture from top of fixture to center of the outlet

**MEASUREMENTS**

DIMENSION : 11." W x 32." H x 15.5" Ext  
 BACK PLATE : 4.5" W x 18." H x 15.5" HCO  
 HANGING WEIGHT : 21.61 lb

**LAMPING**

INPUT VOLTAGE : 120V  
 LUMENS : 1,760 Rated (0 Del.)  
 BULB : 1 x 26W (INCLUDED), 26W Total  
 CRI : 80+ CRI  
 COLOR\_TEMP : 2700K

**FINISHES OPTION**

Country Forge CF



**GLASS**

Frosted Seedy FS

**MATERIAL**

Forged Iron

**RATINGS**

Wet Location



**ADDITIONAL**

INSTALL UP/DOWN:  
 INCANDESCENT WATTS: 160  
 RATED LIFE 10000 Hours  
 OPERATING TEMPERATURE:  
 -20°C (-4°F), 40°C (104°F)

Always consult a qualified electrician before installing any lighting product.



**WESTERN DISTRIBUTION CENTER (HEADQUARTER)**  
 253 NORTH VINELAND AVE | CITY OF INDUSTRY, CA 91746  
**EASTERN DISTRIBUTION CENTER**  
 4200 SHIRLEY DR. | ATLANTA, GA 30336  
 P. 626.956.4200 | F. 626.956.4225 | maximlighting.com