

# access

## LIGHTING

### INSTALLATION INSTRUCTIONS



#### IMPORTANT

Before assembling your access lighting fixture, please make sure that you carefully read through these instruction sheets. Consider having your fixture installed by a qualified licensed electrician.

**NOTE:** The important safeguards and instructions that appear in this manual are not meant to cover all possible conditions and situations that may occur. It must be understood that common sense, caution and care, are factors that can't be built into any product. These factors must be supplied by the person(s) caring for and operating the fixture.

#### GENERAL INFORMATION

All electrical connections must be in accordance with all ordinances, Local and National Electrical Codes. These fixtures are intended for mounting to a standard 4" x 2 1/2" metal octagon outlet box. The box must be directly supported by the building structure and U.L. Recognized.

#### COLLECTION

OBLONG

#### APPLICATION

Wall Fixture

#### MODEL NO.

20395

#### STEP BY STEP INSTRUCTIONS

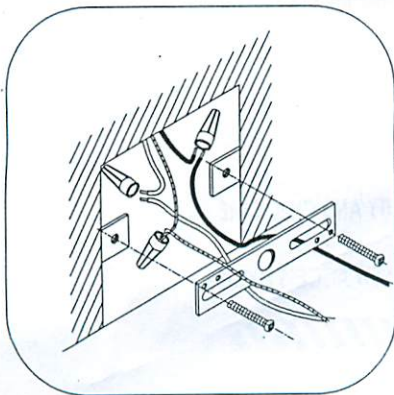
Before starting your installation disconnect the Power by turning off the Circuit Breaker or by removing the fuse at the fuse box. Just turning the light off at the light switch is not sufficient to prevent electrical shock.

#### WHAT WE PROVIDE

- Mounting Hardware
- Mounting Plate
- 1XGlass Shade
- Crossbar

#### WHAT YOU NEED

- Screwdriver
- Wire Cutters
- Wiring Supplies as Specified by Electrical Code
- 1X100W E26 A19 Bulb

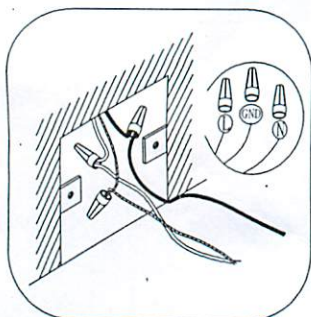


# 1

#### MOUNT CROSSBAR

If there is an existing fixture remove it. Expose the supply wires from the j-box. Mount the crossbar to the j-box with the supplied screws.

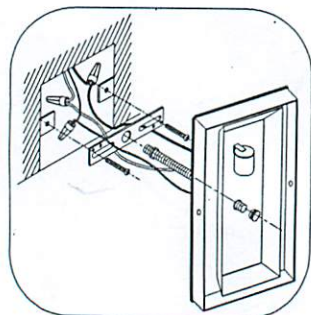
# 1



2

**CONNECT THE WIRES**

Gently pull the supply wires. Connect the black fixture wire to the black supply wire and the white fixture wire to the white supply wire. Connect the fixture ground wire to the ground wire from the j-box. Secure all connections with the supplied wire connectors and U.L. listed electrical tape (not supplied). Tuck all wires carefully into the j-box.

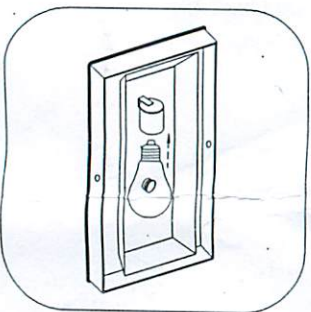


3

**MOUNT THE WALL PLATE**

Insert the nipple into the central hole of the crossbar, and adjust to suitable length. Fasten the hex nut against the nipple so that the nipple will not rotate further. Position the back plate against the wall, make the nipple pass through the center hole of the back plate, then secure with supplied decorative cap.

**NOTE:** This fixture has been certified for Wet Location, and it is for outside applications. Therefore, as to reduce the risk of electrical shock, it is strongly recommended that a silicone caulking be utilized to provide a watertight seal between the fixture and its mounting surface.



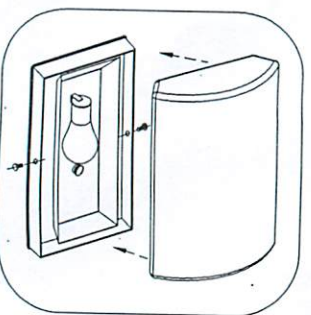
4

**INSERT THE BULB**

Insert the bulb

MAXIMUM WATTAGE 100W.

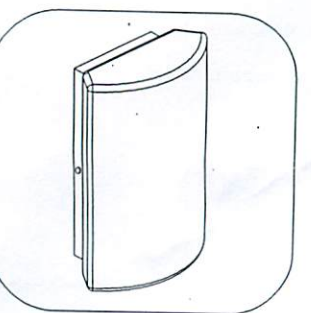
DO NOT EXCEED THE RECOMMENDED WATTAGE AS STATED ON THE WARNING LABEL AND INSTRUCTION SHEETS.



5

**ATTACH THE GLASS SHADE**

Place the glass shade into the back plate, and secure with the supplied screws.



6

**RESTORE THE ELECTRICITY AND CHECK THE OPERATION OF YOUR NEW ACCESS FIXTURE**

