

***** READ & SAVE THESE INSTRUCTIONS *****
MODEL: 20421
INSTALLATION & OPERATION INSTRUCTIONS

(1) TOOLS AND MATERIALS REQUIRED

- ❖ BLADE & STAR SCREW DRIVER
- ❖ ADJUSTABLE WRENCH
- ❖ STEP LADDER
- ❖ WIRE CUTTERS
- ❖ WIRING SUPPLIES AS REQUIRED BY ELECTRICAL CODE
- ❖ 1XA-19/60W BULB

Attention:

Before assembling your lighting fixture, please read the instructions. If you feel you do not have sufficient electrical experience, refer to a do-it-yourself wiring handbook or have your fixture installed by a qualified licensed electrician.

(2) GENERAL

1. To ensure the success of the installation, be sure to read these instructions and review the diagrams thoroughly before beginning
2. All electrical connections must be in accordance with local codes, ordinances, or the National Electrical Code. If you are unfamiliar with methods of installing electrical wiring, secure the services of a qualified licensed electrician
3. These fixtures are intended for mounting to a standard 4" x 2 1/4" deep metal octagon J-box. The box must be directly supported by the building structure and U.L. recognized.
4. Before commencing with the installation, **disconnect the power by turning off the circuit breaker** or by removing the fuse at the fuse box. Turning the power off using the light switch is not sufficient to prevent electrical shock.

NOTE:

The important safeguards and instructions appearing in this manual are not meant to cover all possible conditions and situations that may occur. It must be understood that common sense, caution and care are factors that cannot be built into any product. These factors must be supplied by the person(s) caring for and operating the fixture.

(3) UNPACK THE FIXTURE

CHECK THE CONTENTS OF THE BOX. YOU SHOULD RECEIVE:

- ❖ MOUNTING HARDWARE PACKAGE
- ❖ FIXTURE
- ❖ SHADE
- ❖ BACK PLATE

(4) PREPARING THE FIXTURE

Insure that the circuit breaker is turned off.

Refer to figure 1 for illustration of fixture parts and assembly.

1. If you are replacing an existing fixture, disconnect and remove the old fixture. Expose the supply wiring from the J-box.
2. Mount the supplied **crossbar (2)** to J-box (1) with the supplied **screws (3)**.
3. Attach the **Black** supply wire to the **Black** fixture wire, securing with the supplied Wire Nuts. Attach the **White** supply wire to the **White** fixture wire, securing with the supplied Wire Nuts. Attach the **ground (GREEN)** wire from the fixture to J-box **ground terminal**, Secure with the supplied wire nuts. Secure wire connectors with UL listed electrical tape. Tuck wires carefully into box.
4. Secure **nipple(7)** into the center hole of **crossbar (2)**, Adjust to suitable length.
5. Secure the length of the **nipple(7)** into the **crossbar (2)** with the supplied **hex nut (8)**.
6. Put **wall plate(10)** into **outer trim(9)**, Make **nipple(7)** pass through the center hole of **wall plate(10)**, **Flat washer(4)** fix **outer trim(9)** & **wall plate(10)** against the wall with **decorative cap(11)**.
7. Insert the bulbs, and then turn on the electricity to ensure functionality of the fixture.
8. Place the **shade(12)** into the **wall plate(10)** Use the **spring(14)** to secure the **shade(12)**. Handle the glass with care as it is very fragile.
9. Restore electricity and check the operation of your new lighting fixture.

CAUTION:

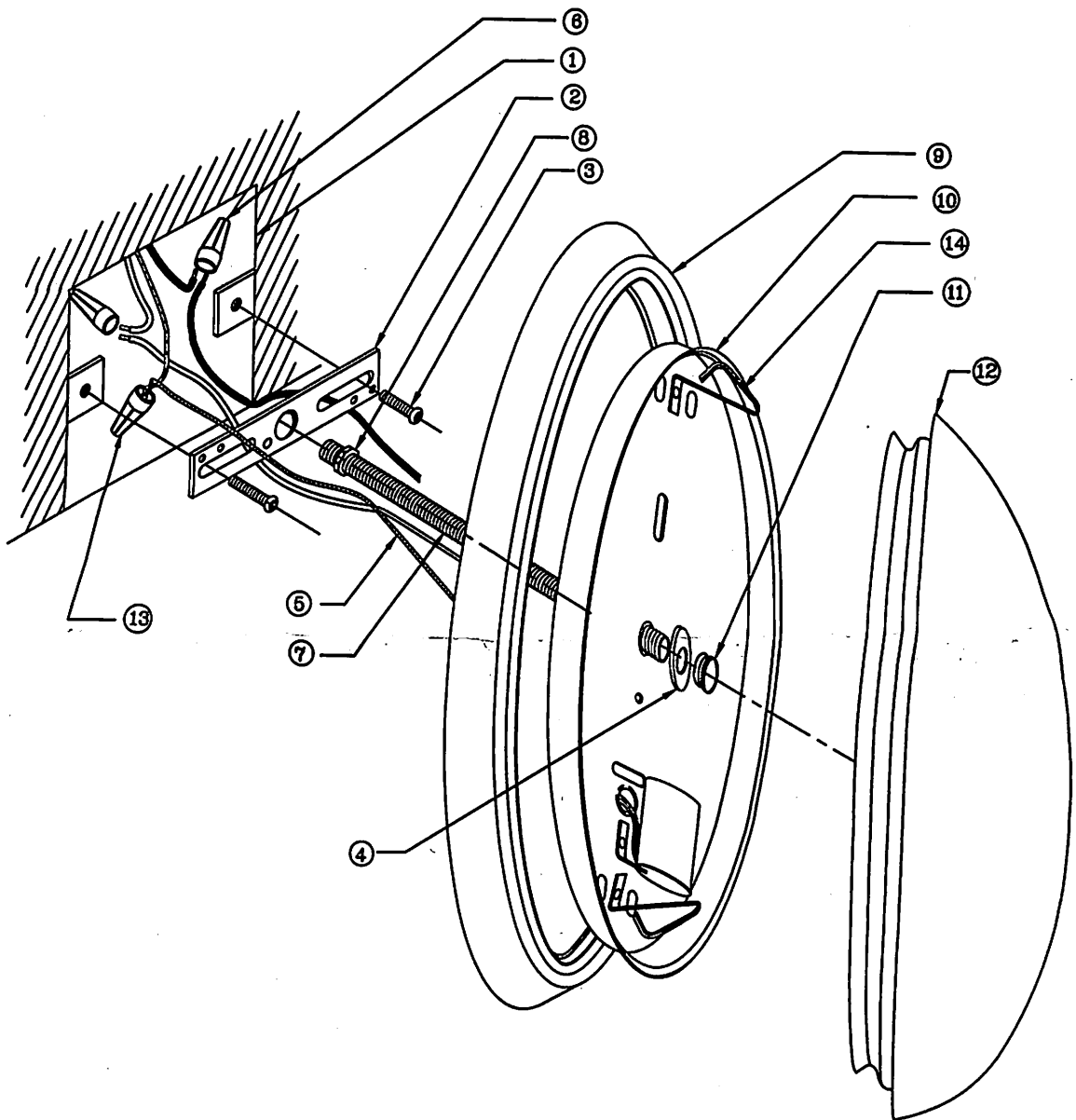
- *Ensure that the Fitting is Cool and Switched off, Before Changing Bulbs.*
- *Do Not use Bulbs Exceeding Maximum Wattage, As Per Caution Label.*
- *Do Not Touch the Bulb while fixture is in operation.*
- *Do Not Operate the Lighting Fixture close to any Combustible Material.*

PLEASE SEE DIAGRAM ON REVERSE SIDE OF PAGE

access

LIGHTING

FIGURE



- ① JUNCTION BOX IN THE BUILDING
- ② CROSSBAR 1PC
- ③ SCREWS 2PCS
- ④ FLAT WASHER 1PC
- ⑤ FIXTURE GROUND WIRE
- ⑥ WIRE CONNECTORS 2PCS
- ⑦ NIPPLE

- ⑧ HEX NUT
- ⑨ OUTER TRIM
- ⑩ WALL PLATE
- ⑪ DECORATIVE CAP
- ⑫ SHADE
- ⑬ WIRE CONNECTOR 1PC (FOR GROUND WIRE)
- ⑭ SPRINGS