

*****READ & SAVE THESE INSTRUCTIONS *****
MODELS 20435,20436
INSTALLATION & OPERATION INSTRUCTIONS

1) TOOLS AND MATERIALS REQUIRED

- ❖ Blade Screwdriver
- ❖ Adjustable Wrench
- ❖ Wire Cutters
- ❖ Wiring supplies as required by Electrical Code
- ❖ 1,2 X 60W/E-26/B-10 Type BULBS
(Model dependent)

Attention:

Before assembling your lighting fixture, please read the following instructions. If you feel you do not have sufficient electrical experience, refer to a do-it-yourself wiring handbook or have your fixture installed by a qualified licensed electrician.

(2) GENERAL

1. To ensure the success of the installation, be sure to read these instructions thoroughly before beginning.
2. All electrical connections must be in accordance with local codes, ordinances, or the National Electrical Code. If you are unfamiliar with methods of installing electrical wiring, secure the services of a qualified licensed electrician.
3. These fixtures are intended for mounting to a standard 4" x 2 ¼" deep metal octagon outlet box. The box must be directly supported by the building structure and U.L. recognized.
4. Before commencing with the installation, **disconnect the power by turning off the circuit breaker** or by removing the fuse at the fuse box. Turning the power off using the light switch is not sufficient to prevent electrical shock.

NOTE:

The important safeguards and instructions appearing in this manual are not meant to cover all possible conditions and situations that may occur. It must be understood that common sense, caution and care, are factors that cannot be built into any product. The person(s) caring for and operating the fixture must supply these factors.

(3) UNPACKING THE FIXTURE

On checking the contents of the box you will find;

1. Fixture assembly
2. Mounting Hardware packet
3. 1,2 x Glass Diffuser (model dependant)

(4) PREPARING THE FIXTURE

1. If you are replacing an existing fixture, disconnect and remove the old fixture. Expose the supply wiring from the outlet box.
2. Place the supplied long screws (3) through the holes in the crossbar (2). Adjust to the desired length and secure tightly with the hex nuts (13), this will prevent the long screws (3) from rotating when the nut caps (8) are attached.
3. Secure the crossbar (2) to the outlet box (1) with the supplied short screws (4). (The long screws (3) should be facing out from the wall).
4. Connect the Black wire from the fixture to the Black supply wire and the White fixture wire to the White supply wire, fasten securely with the supplied wire nuts (6) and secure the wire nuts (6) with UL listed electrical tape (not supplied). Tuck the wires carefully into the outlet box (1).
5. Connect the ground wire (5) from the fixture to the electrical supply ground wire, or attach the ground wire directly to the ground screw on the crossbar (2). Fasten securely with the supplied wire nuts (6) and secure the wire nuts (6) with UL listed electrical tape (not supplied). Tuck the wires carefully into the outlet box (1).
6. Put the long screws (3) through 2 holes allocated on the fixture (7). Secure the fixture (7) against the wall with the nut caps (8).
7. Insert the bulbs. **DO NOT EXCEED THE WATTAGE AS INDICATED ON THE WARNING LABEL.**
8. Position the glass shade(s) (9) so that it fits over the bulb and can screw into the rivets located in the socket cup (10). The glass shade (9) should be rotated in a clockwise direction to ensure that it is securely mounted to the fixture. The glass shade (9) is fragile and care should be taken when handling this item.

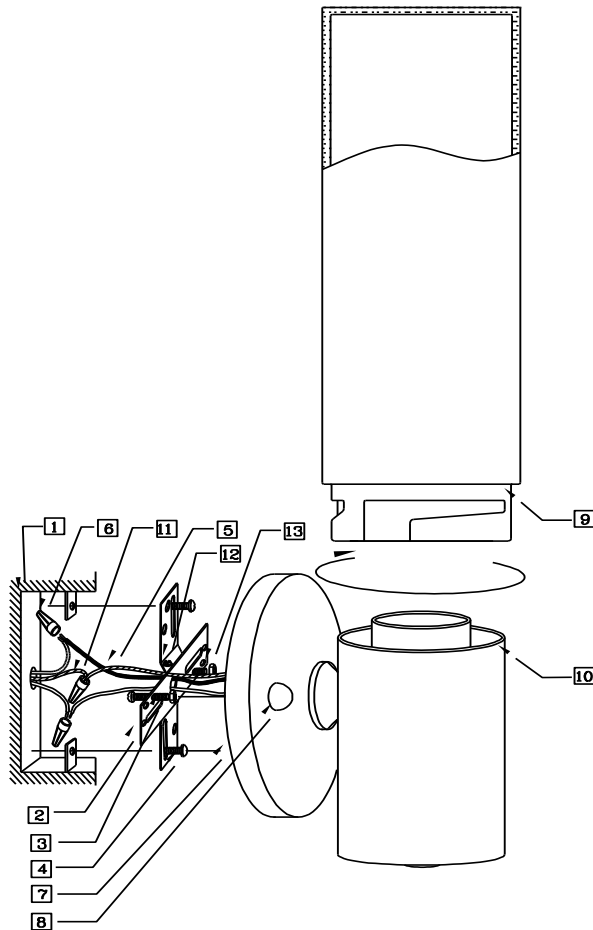
CAUTION:

- **Ensure that the Fitting is Cool and Switched off, Before Changing Bulbs.**
- **Do Not use Bulbs Exceeding Maximum Wattage as Per Caution Label.**
- **Do Not Touch the Bulb while fixture is in operation.**
- **Do Not place fixture in close proximity to any combustible material.**

a c c e s s

L I G H T I N G

FIGURE



- 1 OUTLET BOX IN THE BUILDING
- 2 CROSSBAR 1PC
- 3 LONG SCREWS 2PCS
- 4 SHORT SCREWS 2PCS
- 5 FIXTURE GROUND WIRE
- 6 WIRE NUTS 2PCS (OPTIONAL)
- 7 FIXTURE
- 8 NUT CAPS 2PCS
- 9 SHADE
- 10 SOCKET CUP
- 11 WIRE NUTS 1PC(FOR GROUND WIER)
- 12 GREEN SCREW 1PC (OPTIONAL)
- 13 HEX NUTS 2PCS

NOTE: THE APPEARANCE OF FIXTURE AND QUANTITY OF SOCKET(S) IS SUBJECT TO THE ACTUAL FIXTURE YOU RECEIVED, WHICH IS DIFFERENT FROM THE FIGURE IN THIS INSTRUCTION SHEET, BUT IN SAME INSTALLING WAY AS ABOVE.

