

**\*\*\*READ & SAVE THESE INSTRUCTIONS \*\*\***  
**ACCESS LIGHTING**  
**MODELS: 23022; 23023; 23024**  
**INSTALLATION & OPERATION INSTRUCTIONS**

**(1) TOOLS AND MATERIALS REQUIRED**

- ❖ BLADE & PHILIPS SCREW DRIVER
- ❖ ADJUSTABLE WRENCH
- ❖ STEP LADDER
- ❖ WIRE CUTTERS
- ❖ WIRING SUPPLIES AS REQUIRED BY ELECTRICAL CODE
- ❖ 2, 3, 4 x A-19/60W (model dependant)

**Attention:**

*Before assembling your lighting fixture, please read the following instructions. If you feel you do not have sufficient electrical experience, refer to a do-it-yourself wiring handbook or have your fixture installed by a qualified licensed electrician.*

**(2) GENERAL**

1. To ensure the success of the installation, be sure to read these instructions and review the diagrams thoroughly before beginning.
2. All electrical connections must be in accordance with local codes, ordinances, or the National Electrical Code. If you are unfamiliar with methods of installing electrical wiring, secure the services of a qualified licensed electrician.
3. These fixtures are intended for mounting to a standard 4" x 2 1/4" deep metal octagon outlet box. The box must be directly supported by the building structure. **For mounting to a PVC or Plastic Box do not use supplied crossbar or attach directly to the junction box. The recessed holes located on the outer sides of the fixture should be utilized for mounting the fixture directly to the ceiling, utilizing the correct screws and anchors (not supplied).**
4. Before commencing with the installation, **disconnect the power by turning off the circuit breaker** or by removing the fuse at the fuse box. Turning the power off using the light switch is not sufficient to prevent electrical shock.

**NOTE:**

*The important safeguards and instructions appearing in this manual are not meant to cover all possible conditions and situations that may occur. It must be understood that common sense, caution and care, are factors that cannot be built into any product. These factors must be supplied by the person(s) caring for and operating the fixture.*

**(3) UNPACKING THE FIXTURE**

On checking the contents of the box you will find;

- ❖ Mounting Hardware Package
- ❖ Glass Diffuser
- ❖ Fixture Assembly

**(4) PREPARE THE FIXTURE**

*Refer to figure 1 for illustration of fixture parts and assembly.*

1. If you are replacing an existing fixture, disconnect and remove the old fixture. Expose the supply wiring from the outlet box.
2. Attach the supplied short screws to the crossbar and fasten the crossbar to the junction box, ensuring that the supplied longer screws are facing down (to be inserted into the base of the fixture).

**Please note do not attach this fixture directly to a PVC or Plastic Junction box see point 3 of General section**

3. Attach the ground wire from the fixture to the outlet box ground terminal (or to the box ground wire). Connect the black fixture wire to the black electrical supply wires from the outlet box. Connect the white fixture wires to the white electrical supply wire. Connect wires with the supplied wire connectors and secure with UL listed electrical tape. Tuck wires carefully into outlet box.
4. Position the assembly pan, such that the longer screws can be placed through the holes allocated in the assembly pan. Secure with nuts supplied, so that assembly pan is securely mounted to ceiling.
5. Insert bulb(s), not to exceed maximum wattage as indicated by label on socket.
6. To secure glass diffuser, position the glass under the two clips (that are not spring loaded). Now pull on third, spring loaded, clip and position to allow this clip into place.
7. Restore electricity and check the operation of your new lighting fixture.

**CAUTION:**

- **Ensure that the Fitting is Cool and Switched off, Before Changing the Bulbs.**
- **Do Not use Bulbs Exceeding Maximum Wattage, As Per Caution Label.**

**Warning-Risk of fire and electric shock.**

**Important safety instructions.**

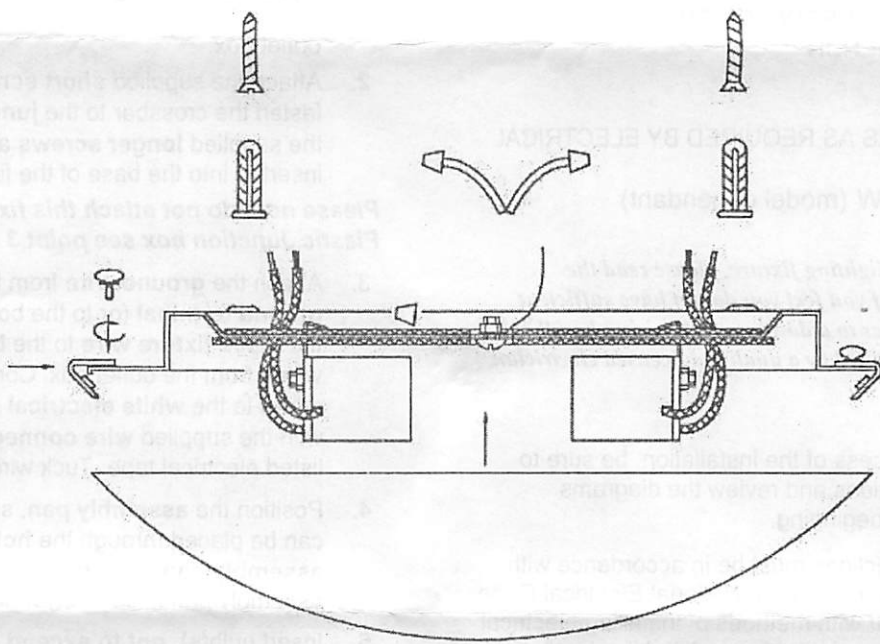
**Do not install this fixture in hazardous locations.**

**Do not install this fixture assembly closer than 6 inches from any curtain or similar combustible material.**

**a c c e s s**

**INSTALLATION & OPERATION INSTRUCTIONS**  
**MODEL 2: 23022; 23023; 23024**  
**ACCESS LIGHTING**  
**\*\*\* READ & SAVE THESE INSTRUCTIONS \*\*\***

**23022/23023/23024-BS**



1. Position the ceiling panel, such that the longer screws can be inserted through the holes allocated in the ceiling.
2. To ensure the support of the fixture, the ceiling must be thoroughly inspected and tested for strength.
3. All electrical connections must be made in accordance with the National Electrical Code (NEC) and local codes.
4. To ensure the support of the fixture, the ceiling must be thoroughly inspected and tested for strength.
5. To secure glass diffuser, position the glass under the two clips (that are not spring loaded). Now pull on third spring loaded clip and position to allow the clip into place.
6. Test electrically and check the operation of your new lighting fixture.

**CAUTION:**

- ✗ Do not use bulbs Exceeding Maximum Wattage As Per Canister Label.
- ✗ Warning Risk of fire and electric shock.
- ✗ Do not use bulbs Exceeding Maximum Wattage As Per Canister Label.
- ✗ Before Changing the Bulbs.
- ✗ Ensure that the Flange is Cool and Switched Off.

Do not install this fixture assembly unless listed and labeled for use with a compatible chandelier or pendant.

3. These fixtures are intended for mounting to a standard 4 x 5 in. deep metal outlet box. The box must be fully supported by the building structure. For mounting to a PVC or Plastic Box do not use supplied crossover or attach ducts to the junction box. The recessed holes located on the outer sides of the fixture should be utilized for mounting the fixture directly to the ceiling, utilizing the correct screws and anchors (not supplied).
4. Before connecting with the installation, disconnect the power by turning off the circuit breaker or by removing a fuse of the fuse box. Turning the power off using the light switch is not sufficient to prevent electrical shock.

The weight of the fixture and its contents must be supported by the ceiling structure. Do not install in areas where the ceiling is not supported by a structural member. Do not install in areas where the ceiling is not supported by a structural member. Do not install in areas where the ceiling is not supported by a structural member.

**(G) UNPACKING THE FIXTURE**

- ✦ On checking the contents of the box you will find:
  - ✦ Fixture Assembly
  - ✦ Glass Diffuser
  - ✦ Mounting Hardware Package

**Access**

