

access

L I G H T I N G

INSTALLATION INSTRUCTIONS

IMPORTANT

Before assembling your access lighting fixture, please make sure that you carefully read through these instruction sheets. Consider having your fixture installed by a qualified licensed electrician.

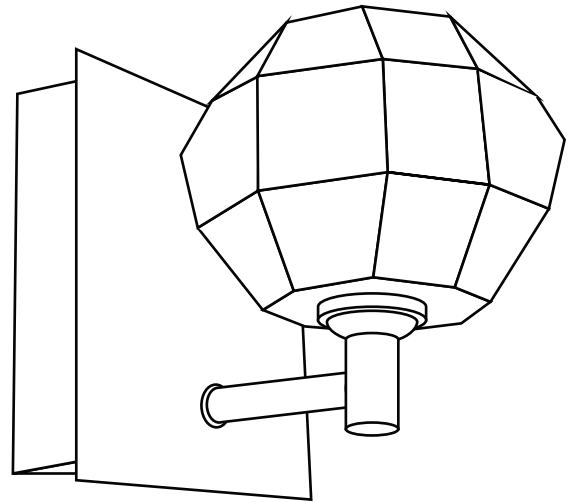
NOTE: The important safeguards and instructions that appear in this manual are not meant to cover all possible conditions and situations that may occur. It must be understood that common sense, caution and care, are factors that can't be built into any product. These factors must be supplied by the person(s) caring for and operating the fixture.

GENERAL INFORMATION

All electrical connections must be in accordance with all ordinances, Local and National Electrical Codes. These fixtures are intended for mounting to a standard 4" x 2 1/2" metal octagon outlet box. The box must be directly supported by the building structure and U.L. Recognized.

STEP BY STEP INSTRUCTIONS

Before starting your installation disconnect the Power by turning off the Circuit Breaker or by removing the fuse at the fuse box. Just turning the light off at the light switch is not sufficient to prevent electrical shock.



COLLECTION

APPLICATION

MODEL NO.

Wall Fixture

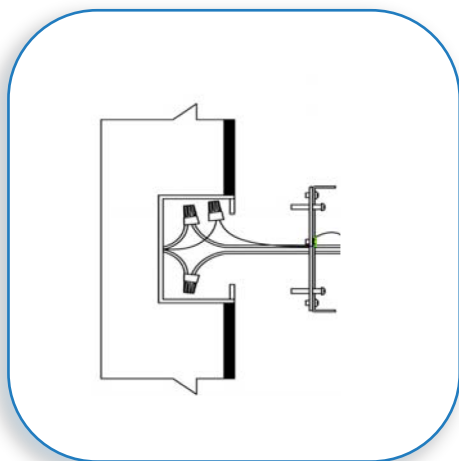
23910

WHAT WE PROVIDE

- Crossbar
- Mounting Hardware
- Mounting Plate
- Back Plate
- 1 x Glass Shade
- 1 x 60W G9 Bulb

WHAT YOU NEED

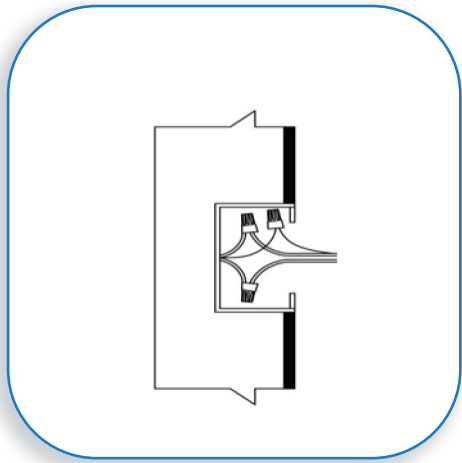
- Screwdriver
- Wire Cutters
- Wiring Supplies as Specified by Electrical Code



1

MOUNT BACK PLATE

If there is an existing fixture remove it. Expose the supply wires from the j-box. Mount the supplied crossbar to the J-Box so that the L bends face outward.

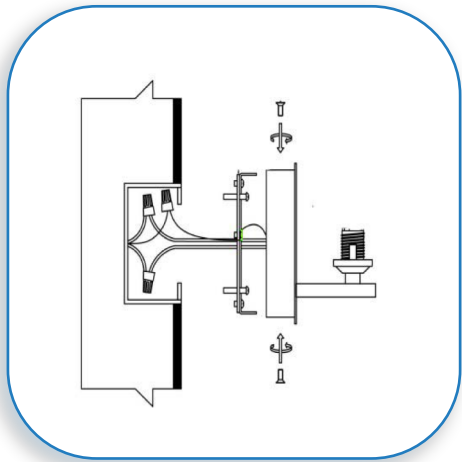


2

CONNECT THE WIRES

Gently pull the supply wires. Connect the black supply wire to the black fixture wire. Secure with the supplied wire nuts. Connect the white supply wires to the white fixture wire. Secure with the supplied wire nuts. Either wrap the green wire around one of the protruding screws or connect it to the supply ground wire. Secure all wire with electrical tape (not supplied).

Tuck all wires carefully into the J-Box.



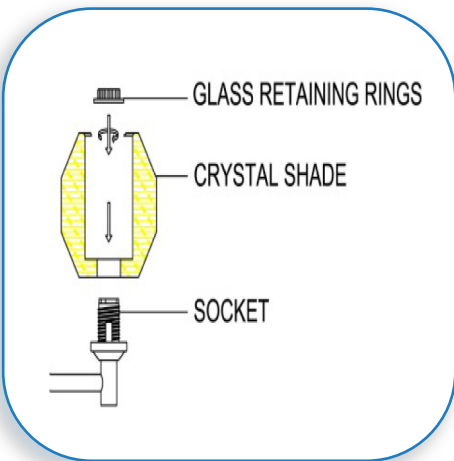
3

MOUNT THE CANOPY

Hold the canopy up to the crossbar.

Align the screw holes on the top and bottom of the canopy and the L bends on the crossbar.

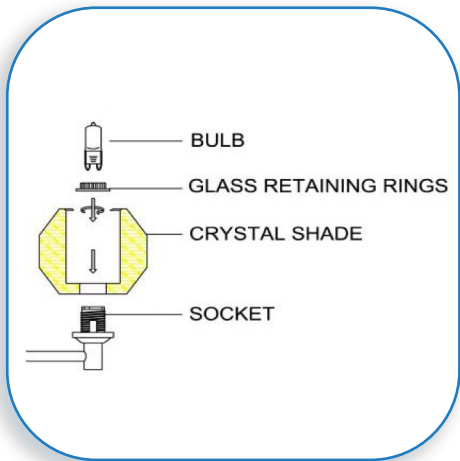
Insert the supplied screws, tighten down and secure.



4

ATTACH THE GLASS SHADE

Secure the glass shades to the fixture, by fitting the glass over the socket. Secure the glass by screwing the glass retaining ring onto the threads on the socket.



5

INSERT THE BULB

Insert the supplied bulb.

MAXIMUM WATTAGE 60W.

DO NOT EXCEED THE RECOMMENDED WATTAGE AS STATED ON THE WARNING LABEL AND INSTRUCTION SHEETS.



6

RESTORE THE ELECTRICITY AND CHECK THE OPERATION OF YOUR NEW ACCESS FIXTURE

CAUTION Please ensure that the fitting is cool and switched off before replacing the bulb. DO NOT use bulbs that might exceed the maximum wattage, stated on caution label.