

access

LIGHTING

Read & Save these Instructions Model: 62051 Installations & Operation Instructions

(1) TOOLS AND MATERIALS REQUIRED

- ❖ STAR SCREW DRIVER
- ❖ ADJUSTABLE WRENCH
- ❖ WIRE CUTTERS
- ❖ WIRING SUPPLIES AS REQUIRED BY ELECTRICAL CODE

Attention:

Before assembling your lighting fixture, please read the following instructions. If you feel you do not have sufficient electrical experience, refer to a do-it-yourself wiring handbook or have your fixture installed by a qualified licensed electrician.

(2) GENERAL

1. To ensure the success of the installation, be sure to read these instructions and review the diagrams thoroughly before beginning.
2. All electrical connections must be in accordance with local codes, ordinances, or the National Electrical Code. If you are unfamiliar with methods of installing electrical wiring, secure the services of a qualified licensed electrician.
3. These fixtures are intended for mounting to a standard 4" x 2 1/4" deep metal octagon outlet box. The box must be directly supported by the building structure.
4. Before commencing with the installation, **disconnect the power by turning off the circuit breaker** or by removing the fuse at the fuse box. Turning the power off using the light switch is not sufficient to prevent electrical shock.

NOTE:

The important safeguards and instructions appearing in this manual are not meant to cover all possible conditions and situations that may occur. It must be understood that common sense, caution and care, are factors that cannot be built into any product. These factors must be supplied by the person(s) caring for and operating the fixture.

(3) UNPACKING THE FIXTURE

On checking the contents of the box you will find;

- ❖ Fixture assembly
- ❖ Glass panel
- ❖ Halogen bulb and tempered glass protectors
- ❖ Mounting hardware package

(4) PREPARE THE FIXTURE

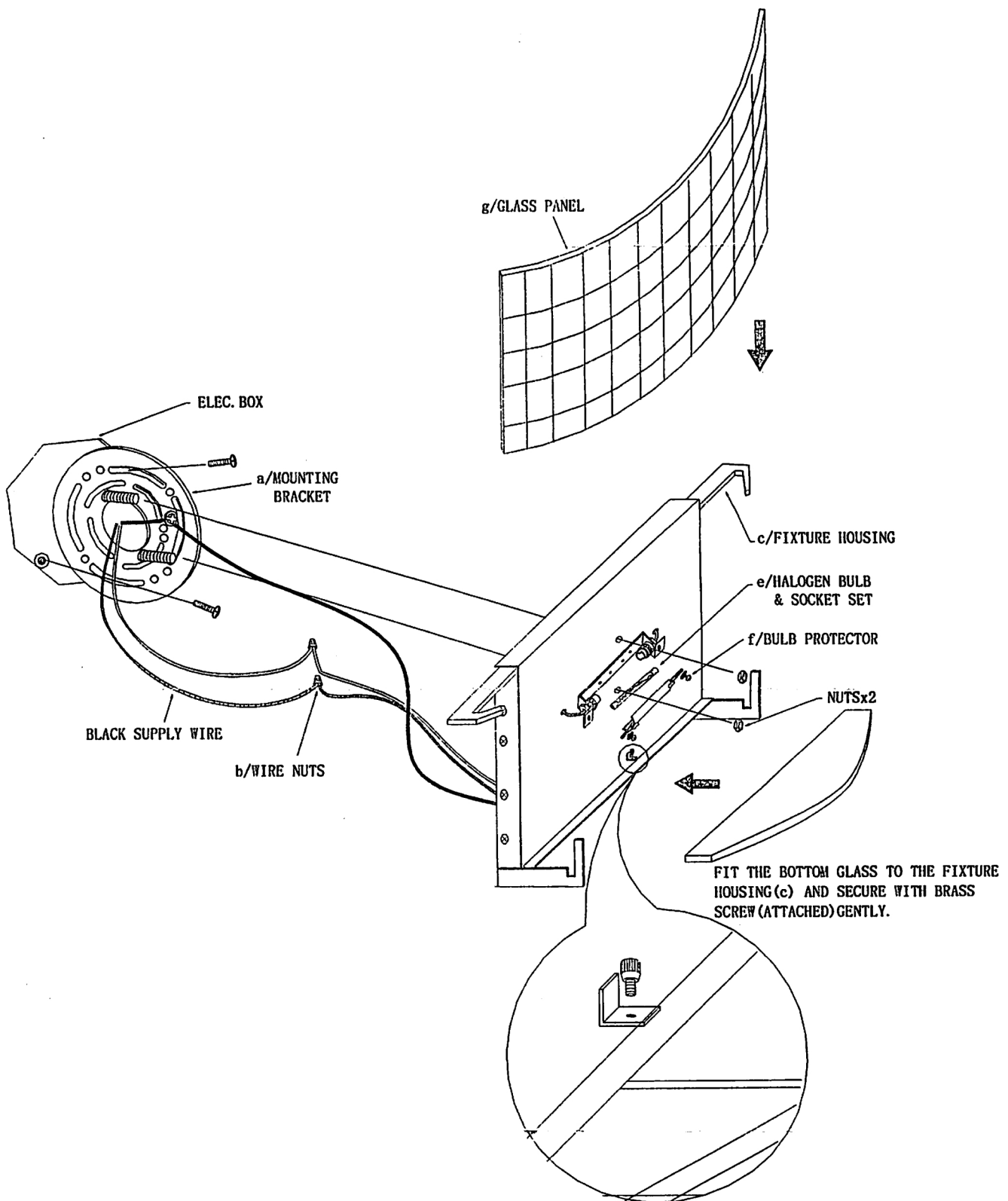
Refer to figure 1 for illustration of fixture parts and assembly.

1. If you are replacing an existing fixture, disconnect and remove the old fixture. Expose the supply wiring from the outlet box.
2. Secure mounting bracket (a) to the junction box using the two supplied screws ensuring that the long center threaded bolt is facing outwards.
3. Connect the Black wire from the fixture to the Black supply wire and the White fixture wire to the White supply wire, fasten securely with supplied wire nuts (b) and secure wire connectors with UL listed electrical tape (not supplied).
4. Connect the Green ground wire from the fixture to the electrical supply ground wire, or attach the ground wire directly to the green screw on the mounting bracket.
5. Attach the fixture housing (c) to the mounting bracket (a) and secure with knurled knob (d).
6. Insert Halogen bulb (e) between sockets. Fit the tempered glass protector (f) over the bulb assembly. (*Do Not Touch the Halogen Bulb with Bare Hands use a soft dry cloth*)
7. Attach the glass panel (g) to fixture housing (c) by sliding the glass into the glass guides found on either side of the fixture housing.
8. Restore electricity and check the operation of your new lighting fixture.

CAUTION:

- **Ensure that the Fitting is Cool and Switched off, Before Changing the Halogen Bulb.**
- **Do Not use Bulbs Exceeding Maximum Wattage, As Per Caution Label.**
- **Do Not use lamp without the supplied Tempered Protection Glass.**
- **Do Not Touch the Halogen Bulb or Protective Glass while fixture is in operation.**
- **Do Not Operate the Lighting Fixture close to any Combustible Material.**

FOR SUPPLY CONNECTIONS, USE WIRE RATED AT LEAST 90 C DEGREE



THIS PRODUCT MUST BE INSTALLED IN ACCORDANCE WITH THE APPLICABLE INSTALLATION CODE BY A PERSON FAMILIAR WITH THE CONSTRUCTION AND OPERATION OF THE PRODUCT & HAZARDS INVOLVED
"CONSULT A QUALIFIED ELECTRICIAN TO ENSURE CORRECT BRANCH CIRCUIT CONDUCTOR"