

*****READ & SAVE THESE INSTRUCTIONS *****
ACCESS LIGHTING
MODEL 63951/63953
INSTALLATION & OPERATION INSTRUCTIONS

1) TOOLS AND MATERIALS REQUIRED

- ❖ Blade Screwdriver
- ❖ Star Screwdriver
- ❖ Wire Cutters
- ❖ Wiring supplies as required by Electrical Code
- ❖ Step Ladder

Attention:

Before assembling your lighting fixture, please read the following instructions.

(2) GENERAL

1. To ensure the success of the installation, be sure to read these instructions thoroughly before beginning.
2. All electrical connections must be in accordance with local codes, ordinances, or the National Electrical Code. If you are unfamiliar with methods of installing electrical wiring, secure the services of a qualified licensed electrician.
3. These fixtures are intended for mounting to a standard 4" x 2 1/4" deep metal octagon outlet box. The box must be directly supported by the building structure and U.L. Recognized.
4. Before commencing with the installation, **disconnect the power by turning off the circuit breaker** or by removing the fuse at the fuse box. Turning the power off using the light switch is not sufficient to prevent electrical shock.

NOTE:

The important safeguards and instructions appearing in this manual are not meant to cover all possible conditions and situations that may occur. It must be understood that common sense, caution and care, are factors that cannot be built into any product. The person(s) caring for and operating the fixture must supply these factors.

(3) UNPACKING THE FIXTURE

On checking the contents of the box you will find;

1. Fixture Housing
2. 1/3 x Glass Diffusers (model dependant)
3. Mounting Hardware Package
4. 1/3 x 100W/HGN/120V/J78mm Bulb (model dependant)

Do not install this fixture assembly closer than 6 inches from any curtain or similar combustible material.

(4) PREPARE THE FIXTURE

1. If you are replacing an existing fixture, disconnect and remove the old fixture. Expose the supply wiring from the outlet box.
2. Lay the un-assembled fixture on a soft surface and carefully remove all the packing material.
3. Attach the supplied **U-shaped Crossbar** to the **J- box**, with the supplied **Mounting Screws**.
4. Attach the supply wire to the fixture wires in the following manner: The **Black supply wire** attaches to the **Black fixture wire** and the **White supply wire** attaches to the **White fixture wire**.
5. Attach the **Green/Ground wire** from the fixture to the **Electrical Supply Wire** or to the **Green Screw** located on the **Universal Crossbar**.
6. Secure these connections with supplied **Wire Connectors** and tape these connections with **U.L Listed electrical tape**. **Tuck all of the wires into the Junction Box**.
7. Fit the **Canopy** over the **U-shaped Crossbar** ensuring that the holes in the **Crossbar** are aligned with holes in the arms of the **U-Shaped Crossbar**. Secure the **Canopy** with the supplied **Knob Screws (4)**.
8. To install the bulbs, remove the glass by pulling one clip, and then the other, back gently. Insert bulbs into the socket. **DO NOT EXCEED WATTAGE AS INDICATED ON WARNING LABEL.**
9. Replace the glass by sliding one side of the glass and then the other side, gently under the clips.
10. Restore electricity and enjoy your new lighting fixture.

CAUTION:

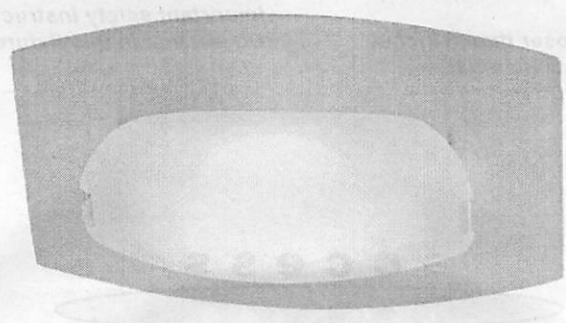
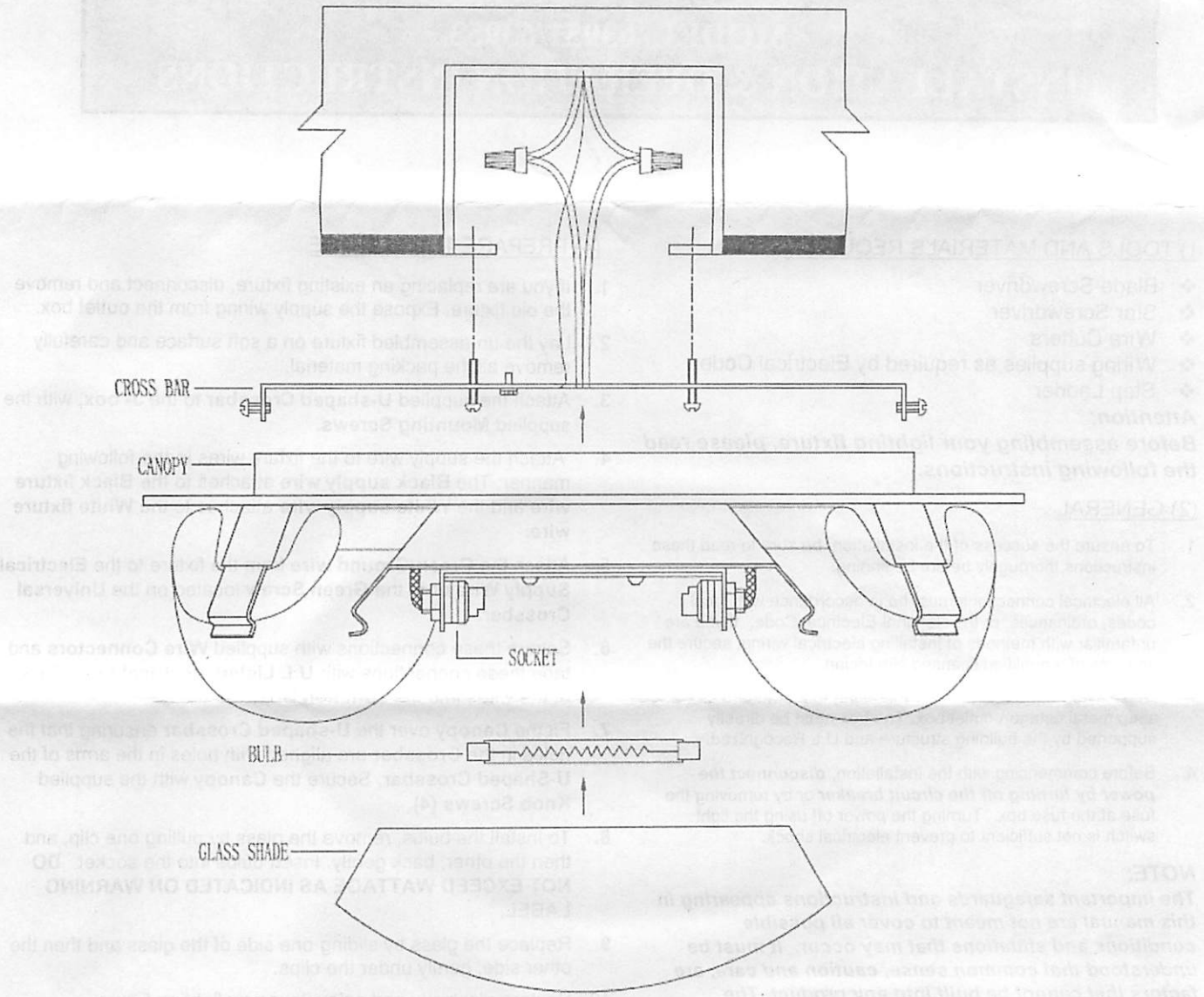
- **Ensure that the Fitting is Cool and Switched off, Before Changing Bulbs.**
- **Do Not use Bulbs Exceeding Maximum Wattage , As Per Caution Label.**
- **Do Not touch the Bulb with Bare Hands.**
- **Do Not Touch the Bulb while fixture is in operation. Warning-Risk of fire and electric shock. Important safety instructions. Do not install this fixture in hazardous locations.**

access

LIGHTING

10000

63953



63951