

# access

## LIGHTING

### INSTALLATION INSTRUCTIONS

#### IMPORTANT

Before assembling your access lighting fixture, please make sure that you carefully read through these instruction sheets. Consider having your fixture installed by a qualified licensed electrician.

**NOTE:** The important safeguards and instructions that appear in this manual are not meant to cover all possible conditions and situations that may occur. It must be understood that common sense, caution and care, are factors that can't be built into any product. These factors must be supplied by the person(s) caring for and operating the fixture.

#### GENERAL INFORMATION

All electrical connections must be in accordance with all ordinances, Local and National Electrical Codes. These fixtures are intended for mounting to a standard 4" x 2 1/2" metal octagon outlet box. The box must be directly supported by the building structure and U.L. Recognized.

#### STEP BY STEP INSTRUCTIONS

Before starting your installation disconnect the Power by turning off the Circuit Breaker or by removing the fuse at the fuse box. Just turning the light off at the light switch is not sufficient to prevent electrical shock.



**COLLECTION**

**APPLICATION**

**MODEL NO.**

Pendant Fixture

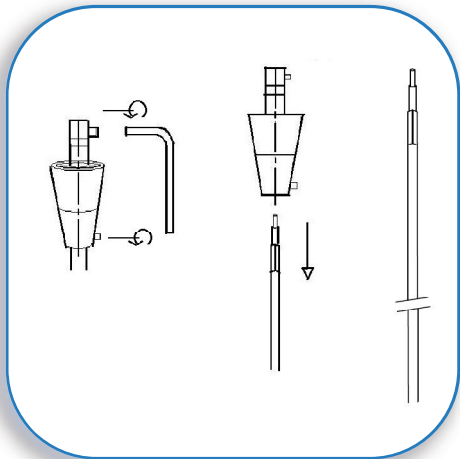
909UJ

#### WHAT WE PROVIDE

- Fixture Assembly
- 10" Wire with lamp holder
- 1x35W 12V GY6.35 bulb

#### WHAT YOU NEED

- Screwdriver
- Wire Cutters
- Wiring Supplies as Specified by Electrical Code
- 1x Glass



#### Determine the length of your fixture

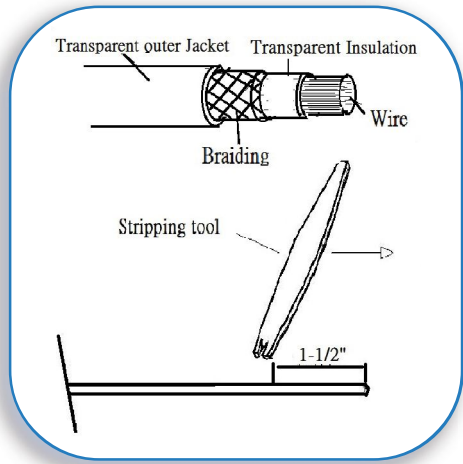
# 1

Loosen the top and bottom allen screw with the supplied allen key.

Pull the wire out of the UNI-JACK connector.

Determine the length of your fixture.

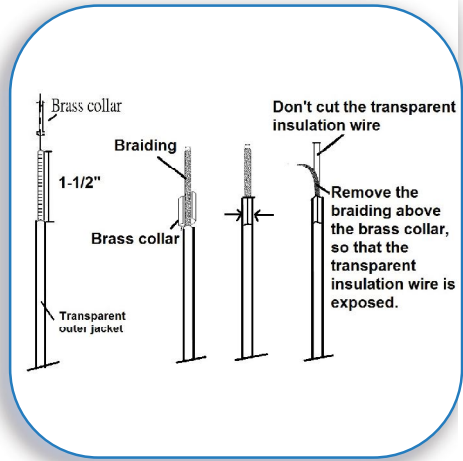
Cut the wire to the desired length. Leaving an additional 1-1/2" for the necessary connections.



2

### STRIP THE WIRE OUTER JACKET

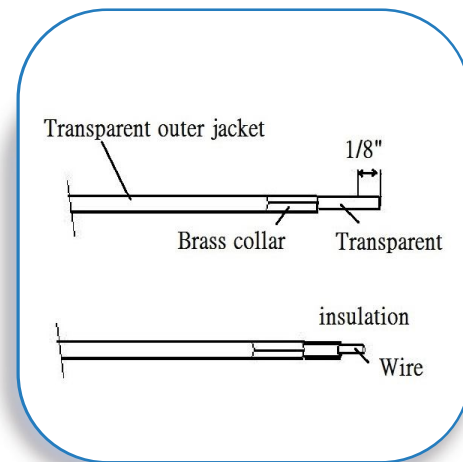
Strip 1-1/2" of the outer jacket with the supplied Stripping tool.



3

### SLIDE THE BRASS COLLAR ON WIRE

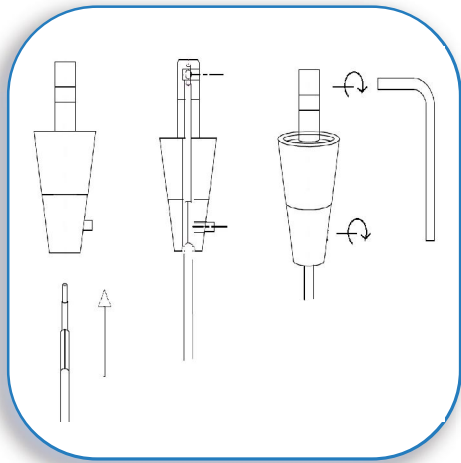
Slide the brass collar over the braiding and clamp it gently. Remove the braiding above the brass collar, so that the transparent insulation wire is exposed. Don't cut the transparent insulation wire.



4

### REMOVE THE WIRE INSULATION

Remove 1/8" of the transparent insulation to expose the inner wire. Solder the exposed wire to keep straight and neat.



5

**INSERT THE WIRE INTO THE UNI-JACK**

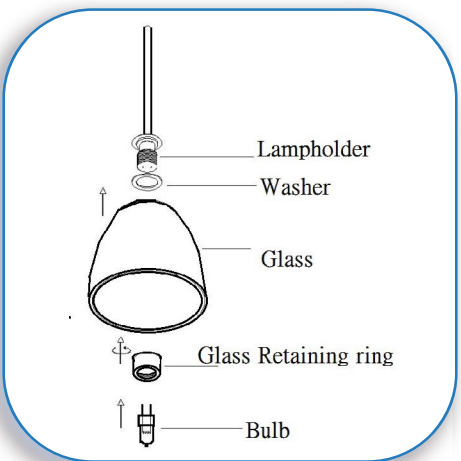
Insert the wire into the UNI-JACK connector until it reaches the top set allen screw position. Make sure the brass collar aligns with the lower set allen screw. Tighten the top and the lower allen screw with the supplied allen key.



6

**CONNECT THE UNI-JACK TO CANOPY PORT**

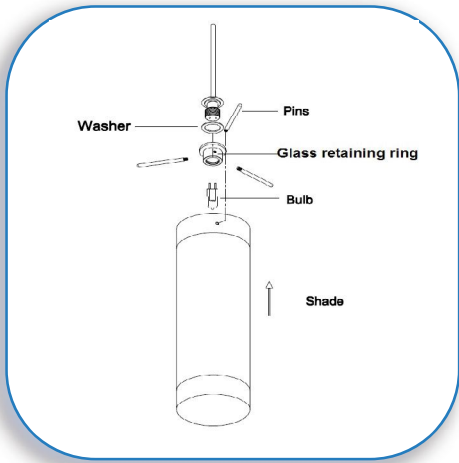
Insert the fixture uni-jack connector into the canopy port and tighten down to secure.



7

**OPTION 1: SECURE THE GLASS SHADE AND INSERT BULB**

Secure the glass shade and washer by sliding it up over the socket. Secure with the supplied glass retaining ring. Insert the bulb  
 MAXIMUM WATTAGE 35W TYPE JC Bulb (GY6.35Base).  
 DO NOT EXCEED THE RECOMMENDED WATTAGE AS STATED ON THE WARNING LABEL AND INSTRUCTION SHEETS.



7

### OPTION 2: SECURE THE GLASS SHADE AND INSERT BULB

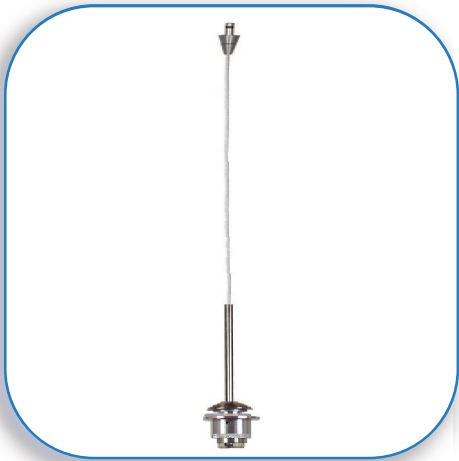
Secure with the supplied washer and glass retaining ring.

Insert the bulb.

MAXIMUM WATTAGE 35W TYPE JC Bulb (GY6.35Base).

DO NOT EXCEED THE RECOMMENDED WATTAGE AS STATED ON THE WARNING LABEL AND INSTRUCTION SHEETS.

Secure the glass shade to the fixture, by aligning the holes in the sides of the glass shade with the holes on the lamp holder. Insert the supplied pins, tighten down to secure the glass shade.



8

### RESTORE THE ELECTRICITY AND CHECK THE OPERATION OF YOUR NEW ACCESS FIXTURE

**CAUTION**

Please ensure that the fitting is cool and switched off before replacing the bulb. DO NOT use bulbs that exceed the maximum wattage, stated on caution label.